



**Hannay Reels®**  
*The reel leader.*

# GROUNDING REELS



North Carolina  
210 Labrador Drive  
Randleman, NC 27317  
Phone 336.674.0749  
FAX 336.674.3688  
[www.safeairsystems.com](http://www.safeairsystems.com)

Worldwide Distribution and Service.  
**1.800.424.8633**

# Static Grounding Reels

## FOR REFUELING OR HAZARDOUS AREAS

• Aircraft Refueling • Chemical Plants • Grain Elevators • Rescue and HazMat Operations

- These reels bond and/or ground aircraft, fuel trucks and other equipment.
- Provide smooth operation and require minimum cable pull.
- Declutching arbor and adjustable guide arm with cable guide.
- Optional stainless steel construction of spool, frame & ratchet system available on HGR series.
- Standard finish is oven-cured enamel.
- Also available, manual rewind version. All shown with optional cable and/or "Y" branch.

**WARNING**  
These Reels are for Static Grounding ONLY  
NOT intended for lightning protection!



**Model HGR 50**  
(shown with optional "Y" branch)



**Model SS HGR 50**  
Optional unpolished stainless steel HGR 50



**Model HGR100**



**Model MHGR 50**



**Model GR 75**



**Model MGR 75**



Optional Grounding Jack  
per MIL-C-8341D/4  
Part No. 9951.0033



Optional Browne Clamp  
Part No. 9951.0031

# HGR/GR

## STATIC GROUNDING REELS

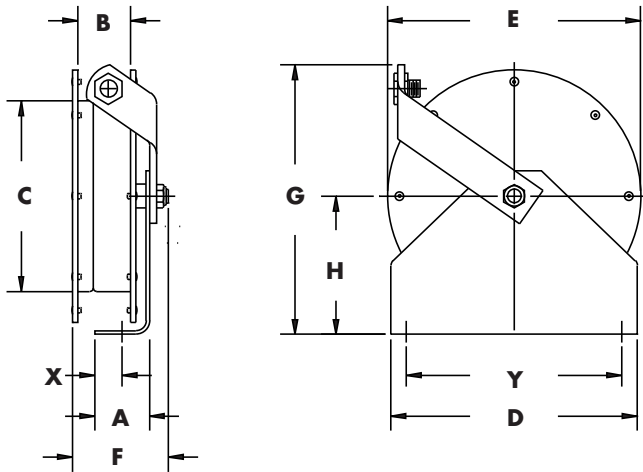
- Available with 1/8", 7x19 galvanized carbon steel cable
- 100 amp Alligator Clamp.
- Stainless steel or plastic-covered cable and "Y" branches are available at an additional charge.
- Cable guide arm of cast aluminum and 2A+12 Alum Zinc Alloy.

### Series GR75

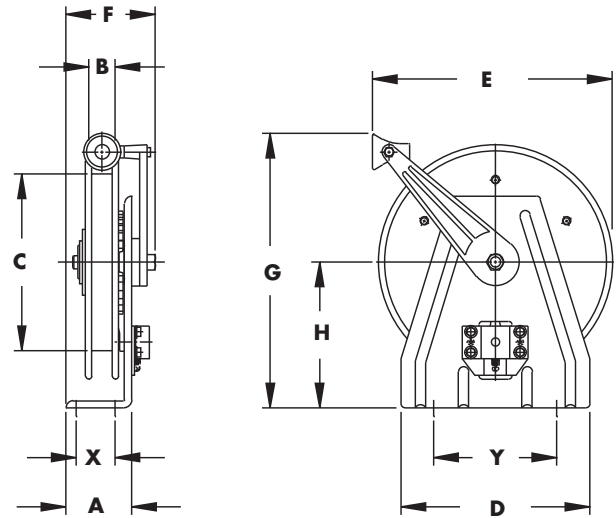
- Sealed spring is a good economical choice compact and lightweight.

### Series HGR

- A non-sparking ratchet assembly.
- Reels are repairable and parts are readily available.



**Model GR75/MGR75**  
GR75 Shown



**Models HGR50/HGR100/MHGR50**  
HGR Shown

### Parts Drawing: HGR Series – ISO 10

Model Number	Cable Capacity of Reel feet m.	Approx. Weight lb. kg		Reel Dimensions inches mm									
		Without cable	With cable	A	B	C	D	E	F	G	H	X	Y
GR 75	75	11	14	2	2	7	9	9.25	3.5	9.88	5.06	1	7.88
	23	5	6	51	51	178	229	235	89	251	129	25	200
MGR 75	100	11	13	2	2	7	9	9.25	5.25	9.88	5.06	1	7.88
	30	5	6	51	51	178	229	235	133	251	129	25	200
HGR 50	75	28	30	4	1.25	10.75	11.5	14.25	5.5	16.75	8.88	2.38	7.5
	23	13	14	102	32	273	292	362	159	425	226	60	191
MHGR 50	200	18	20	4	1.25	10.75	11.5	14.25	6.25	16.75	8.88	2.38	7.5
	61	8	9	102	32	273	292	362	159	425	226	60	191
HGR 100	100	37	40	4	1.25	13.25	11.5	16.75	5.5	17.75	8.88	2.38	7.5
	30	17	18	102	32	337	292	425	140	451	226	60	191

#### To Order (Specify all items listed):

- Gauge, length, O.D., and coating if required
- Specify "Y" branch if required
- Finish if other than standard
- Complete model number

Reels can be shipped as a parcel package (via FedEx or UPS ground).

